

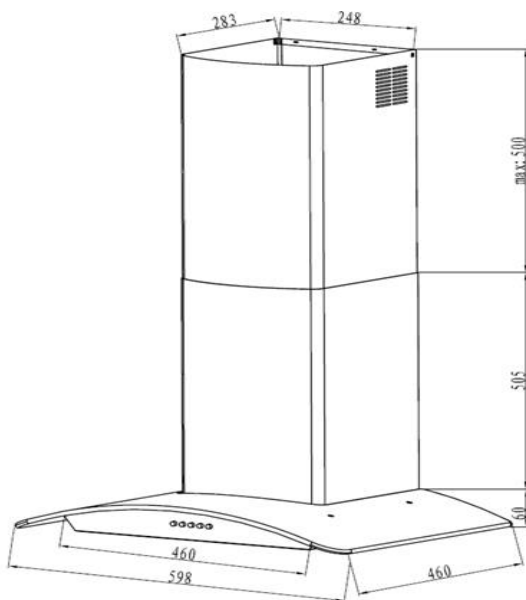
Description: **Robinhood Wall Canopy Curved Glass 90/60cm Vetro**

Model Numbers: **RWV3CL6G RWV3CL9G**

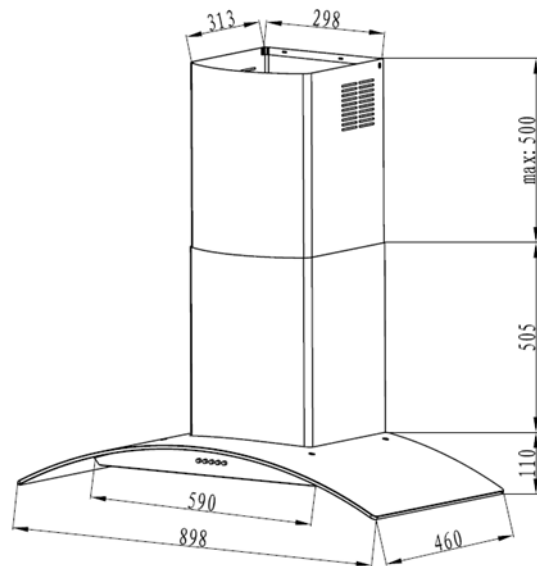
## Typical design



## Dimensions



**RWV3CL6G**



**RWV3CL9G**

# Specifications

<b>Product approval number</b>	<b>SGSEA/110866</b>
<b>Product rating</b>	<b>223W, 220-240 Volt,50 hertz</b>
<b>Electrical approval AS/NZS</b>	<b>60335.2.31:2004 + A1 + A2 + A3</b>
<b>EMC AS/NZS</b>	<b>CISPR14:2001</b>
<b>Performance tested</b>	<b>IEC61591</b>

**Electrical Approval:** 60335.2.31:2004 +A1 +A2 +A3  
**Electrical Standard:** AS/NZS CISPR14:2001

## Electrical specifications

**Voltage:** 220-240 / 50hz

<b>DB Rating</b>	RWV3CL6G	Speed 1	56dB
	RWV3CL9G	Speed 1	57dB

**Gross weight:** 40kg  
**Nett weight:** 35kg  
**Carton volume:** 0.28m3  
**Carton dimensions:** 660mm x 640mm x 650mm

### **New Zealand**

Monaco Corporation Ltd  
Telephone: (09) 415 6000  
Facsimile: (09) 415 7400  
Email: [enquiries@robinhood.co.nz](mailto:enquiries@robinhood.co.nz)  
[www.robinhood.co.nz](http://www.robinhood.co.nz)

### **Australia**

Shriro Australia Pty Ltd  
ABN 28 002 386 129  
Telephone: 1800 648 556  
Facsimile: 1800 628 577  
Email: [enquiries@robinhood.com.au](mailto:enquiries@robinhood.com.au)  
[www.robinhood.com.au](http://www.robinhood.com.au)