

omega

INSTRUCTION MANUAL FOR OMEGA
RANGE HOODS

ORU70MB

ORU90MB

Thank you for introducing our family to yours

At Omega, we understand that cooking, cleaning and washing may not be your favourite things in the world. That's why we created a range of no-nonsense, reliable products that always get the job done for you. With the features you need and nothing you don't. What's more, they're made to fit perfectly into your home life and your wallet.

We aim to simplify any further appliance purchases. When researching our products you will find a range of icons that visually represent our products key features. Visit our website to learn more about these icons and the features and benefits of our products.

You are welcoming an Omega appliance into your place and you can be sure it'll always serve you well.

For important information about your Omega such as warranty registration, online manuals, specifications and catalogues, please visit

www.omegaappliances.com.au/customer (if you are in Australia) or

www.omegaappliances.co.nz/customer (if you are in New Zealand).

Make sure you activate your product warranty on our websites on the links above.

If you want to know more about promotions, to receive cool tips and tailor made content, like us on www.facebook.com/omegaappliances and follow us on www.instagram.com/omegaappliances_au.

We hope you love this product as much as we do!



www.omegaappliances.com.au / www.omegaappliances.co.nz



[omegaappliances](https://www.facebook.com/omegaappliances)



[omegaappliances_au](https://www.instagram.com/omegaappliances_au)

READ THE INSTRUCTION BOOKLET BEFORE INSTALLING AND USING THE APPLIANCE.

It is important that you retain these instructions, proof of purchase as well as other important documents about this product for future reference.

The manufacturer will not be responsible for any damage to property or to persons caused by incorrect installation or improper use of the appliance.

Due to continual product development, Omega reserves the right to alter specifications and appearances without notice.

CONTENTS

IMPORTANT SAFETY WARNINGS	1
APPLIANCE DETAILS AND LAMP REPLACEMENT	2
LAMP REPLACEMENT.....	3
INSTALLATION INSTRUCTIONS	4
OPERATING INSTRUCTIONS	5
CLEANING.....	6
TROUBLESHOOTING.....	7
WARRANTY	8

DISPOSAL INFORMATION

- Most of the packaging materials are recyclable. Please dispose of these materials through your local recycling depot or by placing them into appropriate collection containers.
- If you wish to discard this product, please contact your local authorities and ask for the correct method of disposal.

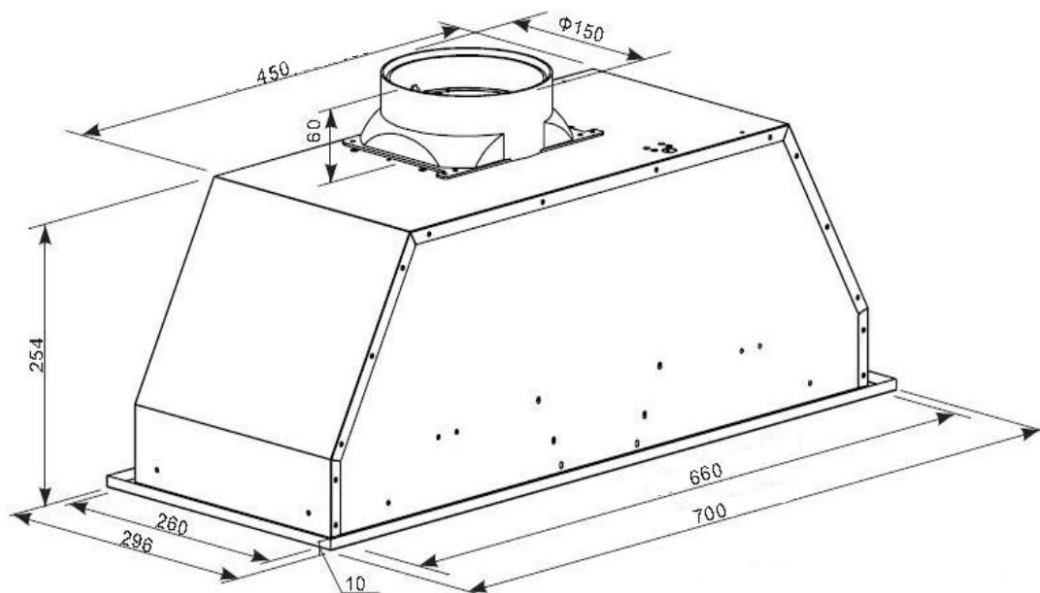
IMPORTANT SAFETY INSTRUCTIONS

IMPORTANT: Read the assembly instruction section and safety precautions of this booklet carefully before removing the contents of this carton.

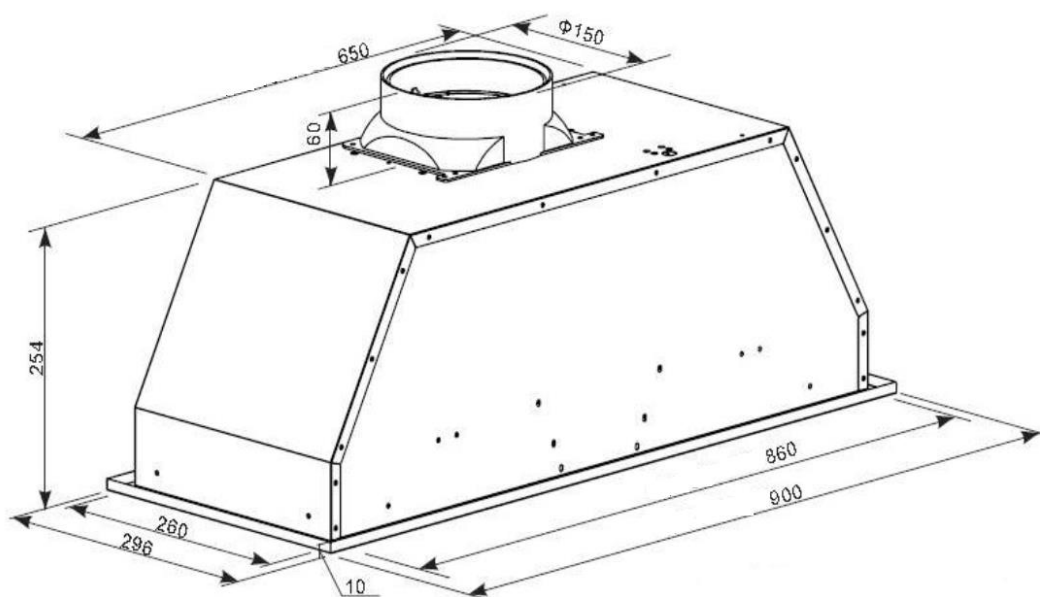
1. This appliance is not intended for use by persons (including children) with reduced physical, sensory or mental capabilities, or lack of experience or knowledge, unless they have been given supervision or instruction concerning the use of the appliance by a person responsible for their safety. Young children should be supervised to ensure that they do not play with the appliance.
2. Do not check the status of the filters whilst the cooker hood is operating.
3. Do not touch the light bulbs after use.
4. Do not disconnect the appliance with wet hands.
5. Do not disconnect the power supply by pulling on the cable.
6. Do not flambé underneath the range hood.
7. Avoid free flame, as it may cause damage to the filters and can be a fire hazard.
8. Unplug the appliance before carrying out maintenance, cleaning or replacing lamps.
9. If the power cord is damaged, it must be replaced by the manufacturer, an authorised service centre or similarly qualified persons to avoid a hazard.
10. For indoor use only.
11. It is recommended to operate the range hood prior to cooking.
12. It is recommended to leave the range hood in operation for 15 minutes after cooking is terminated in order to completely eliminate cooking vapours and odours.
13. Turn off the range hood when not in use.
14. Do not use the range hood if it is damaged, especially the supply cord and the case.
15. Do not immerse the range hood in liquid.
16. The exhaust air must not be discharged into a flue which is used for exhausting fumes from an appliance burning gas or other fuels.
17. Regulations concerning the discharge of air have to be fulfilled.
18. There shall be adequate ventilation of the room when the range hood is used at the same time as appliances burning gas or other fuels (not applicable to appliances that only discharge the air back into the room).
19. Clean the surface of the cooker hood regularly using a cloth moistened with denatured alcohol or a non-abrasive liquid detergent.
20. There is a fire risk if cleaning is not carried out in accordance with the instructions.
21. The range hood must be mounted at a minimum distance of 600mm above the cooking surface.
22. **CAUTION:** Accessible parts may become hot when used with cooking appliances.
23. **Warning:** Failure to install the screws or fixing device in accordance with these instructions may result in electrical hazards.

APPLIANCE DETAILS

Model	ORU70MB, ORU90MB
Voltage	220 - 240V 50Hz
Rated Power Input	271W
Lamp Max	2x3W GU10 LED



Model ORU70MB

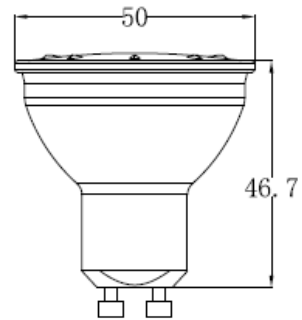


Model ORU90MB

Lamp Replacement

Warning: Before attempting to replace the lights, ensure that the appliance is switched off and unplugged from the wall.

- Remove the aluminium filter.
- Press the lamp face and turn anti-clockwise to remove.
- Replace with the same type of bulb (GU10 Base, 3W MAX).
 - Max Wattage: 2 x 3W
 - Voltage Range: 220 – 240V AC
 - ILCOS D Code: DR-3/65/1B-H-GU10-46/50
- Replace the aluminium filter.



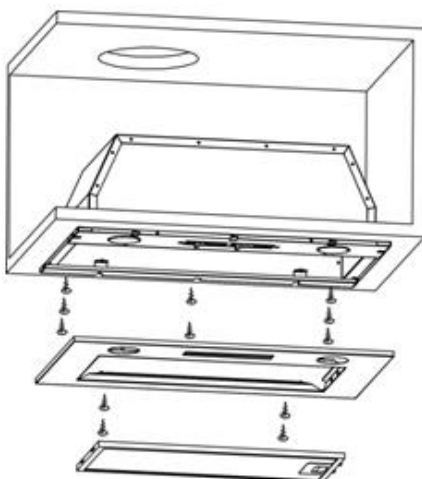
INSTALLATION INSTRUCTIONS

Warning: Failure to install the screws or fixing device in accordance with these instructions may result in electrical hazards.

- Please ensure that all power is switched off before installing the range hood.
- Installation must be in accordance to the local electrical authority and codes.
- The switched power outlet for the range hood should be positioned to enable the user to turn the power off, to enable cleaning and any maintenance required.
- The switched power outlet should be installed within 600mm from the rear of the unit.
- Ensure that when installing the range hood, that it is protected from any possible damage from tools etc.
- Ducting for this unit must be installed in accordance to the local authority.
- Ensure that the fixings used for this range hood are suitable.
- Check the area where the range hood is to be fitted, to ensure that it is structurally sound.
- Before using the appliance, remove the plastic coatings protecting the stainless steel finish.
- These models are intended to be installed into kitchen cabinetry. Take care that the cabinetry and supporting wall can carry the weight of the rangehood.
- Always double-check dimensions in this manual against the appliance before commencing.

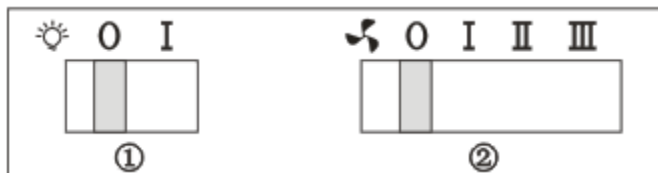
The rangehood should be placed at a minimum distance of 600mm from the cooking surface of the cooker below. Any more than 750mm could compromise the performance of the appliance.

- Drill a hole in the cupboard, 665 x 265 mm for model ORU70MB and 865 x 265 mm for model ORU90MB. Make sure the distance between the edge of the hole and the edge of the cupboard edge is at least 35mm.
- Remove the filter and remove the four screws holding the front panel in place. Lift the appliance into the hole and check that it fits correctly (no gaps, does not interfere with anything above it etc.).
- Mark the hole positions with a pencil, remove the appliance and pre-drill the holes using a small drill bit. Place the appliance back into position, line up the holes and fix into place using the 8 screws provided. Replace the cover & fix into position with the 4 screws and fit the filter. Fit the one way filter to the top of the unit.
- The exhaust air vents through the one way valve at the top. If the exhaust is to be vented away, cut a hole (~Ø160mm) in the top of the cupboard, and connect Ø150mm ducting to the one way valve & pass it through the hole to wherever it is going. If the exhaust air is to be recirculated back into the room, either cut vents into the cupboard (with a minimum area of 800cm²), or leave the cupboard door open when in use.
- Once assembled in place, the appliance can be connected to the power supply.



OPERATING INSTRUCTIONS

With the appliance fully installed and the power connected, the appliance can be used.



1. Lamp – Turn on/off light

O – to switch off light

I – to switch on light

2 . Speed – Select speed to suit cooking conditions

O – to switch off motor

I (Low) – light frying/boiling

II (Medium) – frying/wok cooking/heavy boiling

III (High) – grilling, intensive frying and wok cooking

Power – Slide out drawer to power on

– Slide in drawer to power off

CLEANING

SAFETY PRECAUTION

Before cleaning your rangehood or performing any maintenance, please ensure that the rangehood is turned off at the power point.

Do not use abrasive cleaners to clean the rangehood. The use of warm soapy water and a cloth are recommended. Ensure that the rangehood is cleaned regularly, as a build-up of grease and fat may occur otherwise.

The filters on the rangehood must be cleaned regularly to maintain efficiency, and prevent grease build up. The filter mesh is made of a high density Stainless Steel. It is recommended that this is undertaken every 4 – 6 weeks, depending on frequency of use. The filters can be cleaned with warm soapy water or a cloth.

Cleaning of the rangehood must be performed as described above; otherwise there is a possibility of a fire hazard due to grease and fat build up.

TROUBLESHOOTING

Fault	Possible Cause	Solution
Light on, but motor does not work	Fan switch turned off	Select a fan switch position.
	Fan switch failed	Contact Everdure Service.
	Motor failed	Contact Everdure Service.
Light does not work, motor does not work	House fuses blown	Reset/Replace fuses.
	Power cord loose or disconnected	Refit cord to power outlet. Switch power outlet on.
Oil leakage	One-way valve and the air ventilation entrance are not tightly sealed	Take down the one-way valve and seal with sealant.
	Leakage from the connection of U-shaped section and cover	Take U-shaped section down and seal.
Lights not working	Broken/Faulty LED lamp	Contact Everdure Service.
Insufficient suction	The distance between the rangehood and the gas top is too far	Refit the rangehood to the correct distance.
The Rangehood inclines	The fixing screw not tight enough	Tighten the hanging screw and make it horizontal.



AUSTRALIAN AND NEW ZEALAND PRODUCT WARRANTY STATEMENT OF STANDARD WARRANTY CONDITIONS

AUSTRALIAN CUSTOMERS

Our goods come with guarantees that cannot be excluded under the Australian Consumer Law. You are entitled to a replacement or refund for a major failure and for compensation for any other reasonably foreseeable loss or damage. You are also entitled to have the goods repaired or replaced if the goods fail to be of acceptable quality and the failure does not amount to a major failure.

NEW ZEALAND CUSTOMERS

Nothing herein contained shall be construed in any way as excluding or limiting your rights under the Consumer Guarantee Act 1993.

OUR WARRANTY

This product is also covered by the manufacturer's warranty set out in this document (Our Warranty).

Our Warranty is for a period of twenty four (24) months from the date of purchase. This is in addition to (and does not exclude, restrict or modify) any rights or remedies to which you may already be entitled to under the Australian consumer law or the New Zealand Consumer Guarantee act 1993 relating to this product. Our warranty (which is subject to the conditions below) covers rectification free of charge of any fault arising from defective materials or components or faulty workmanship. The product will be repaired or replaced at the option of Omega.

Our warranty is subject to the following conditions:

1. That the purchaser contact Omega prior to any product repair.
2. That the purchaser carefully follows all instructions provided with the product and complies with all relevant electrical & plumbing regulations in their State when installing the product.
3. That the purchaser carefully follows the instructions provided in the owner's handbook relating to the proper use and care of the product and does not use the product for any purpose other than the DOMESTIC use for which it has been designed. If the appliance is used in commercial applications or for rental purposes, Our Warranty is limited to a warranty of Twelve (12) months covering all parts with Three (3) months on any labour cost of service or repair.

WHAT IS COVERED: By Our Warranty

During the warranty period, Omega or its authorised Service Centre will, at no extra charge, if your appliance is readily accessible without the need of special equipment and subject to the terms and conditions of this warranty, repair or replace any parts which it considers defective.

WHAT IS NOT COVERED: By Our Warranty

1. Products installed damaged or incomplete or not in compliance with the relevant electrical & plumbing regulations in their State.
2. Normal wear and tear e.g. cleaning, light globes, filters etc.
3. Failure resulting from power surges and electrical storms.
4. Insect or vermin infestation.
5. Unauthorised repairs or use of non- genuine Omega parts.
6. Any failure caused by the product not being used in accordance with the instruction and the installation manual provided with the product.
7. Misuse or abuse, including failure to properly maintain or service.
8. The clearing of blockages in pumps and hoses.
9. Damage which occurs during delivery or installation.
10. Claims to product surface coating due to liquid or solid spill-overs, accidental damage or damage caused from cleaning products not recommended by Omega.

HOW TO CLAIM YOUR WARRANTY

Please refer to our website address below for Omega in Australia or New Zealand to register your warranty online.

If you are contacting Omega regarding any warranty claims and spare parts inquiries, please make sure you have the following information on hand:

1. Product Name/Model Number
2. Serial Number/s
3. Purchase Date (as per invoice or proof of purchase)
4. Purchased From
5. Warranty Registration Number

IN AUSTRALIA

www.omegaplumbing.com.au/customer/warranty

Omega is division of Shiro Australia PTY LTD
ABN 28 002 386 129

Customer care: 1300 739 033

Email: customercare@shiro.com.au

IN NEW ZEALAND

www.omegaplumbing.co.nz/customer

Omega is division of Monaco Corporation Limited
(Member of Shiro Australia PTY LTD)

Phone: (09) 415 6000

Email: customercare@monacocorp.co.nz

A division of Shriro Australia Pty Limited
104 Vanessa St Kingsgrove NSW 2208
In Australia: 1300 739 033
www.omegaappliances.com.au
In New Zealand: (09) 415 6000
www.omegaappliances.co.nz

IM Ref: ORU70MB/ORU90MB 12/2019/17