

# BCG905FX - Commercial Exclusive

## 90cm, Gas Cooktop including Wok burner

**BLANCO**



### Model Code

BCG905FX- Commercial Exclusive

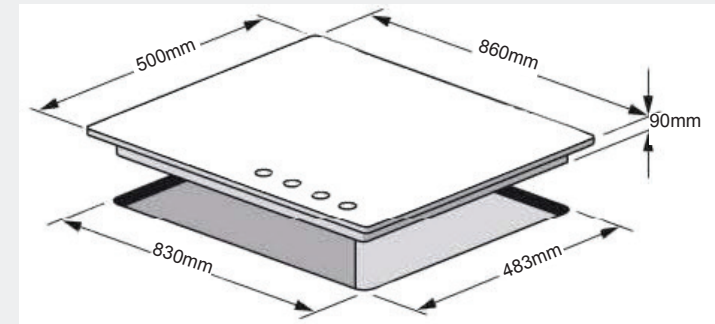
### Description

90cm, 5 burner gas cooktop including wok burner, with cast iron trivets

### Warranty

BLANCOCare™ 2 years parts & labour

## Specifications



Dimensions:	860W x 500D x 90H mm
Cut-out size:	830W x 483D mm
Power cord:	240V 10amp for auto ignition
Power cord length:	1.2 metres
ULPG adaptable:	Yes
Gas entry point:	Rear left hand side

### Features

### Benefits

#### Smooth One Piece Hob Design

The smooth one piece hob design makes cleaning the cooktop so much easier, saving time and effort. Simply wipe over with a damp cloth.

#### Cast Iron Trivets

Complimenting the smooth, sleek construction of the unit, whilst providing a non-slip surface for pots and pans.

#### High Performance 13Mj Wok Burner

The 13Mj Wok burner offers powerful cooking for dishes such as stir-frying.

#### Automatic Ignition

Ease of operation, no need for manual ignition, simply twist the knob and the gas connection ignites.

#### Front Control Operation

Added safety while cooking, as there is no need to lean over a naked flame to operate the controls.

#### Flame Failure

Extra safety in the kitchen offering peace of mind, the gas will shut of when there is no continuous flame.

#### Available in Natural Gas or Propane

The cooktop is supplied adjusted for natural gas installation, however can be converted for propane application (conversion kit supplied).

### Cooktop Burners:

### Power:

Centre - wok:	13Mj/h
Front left:	4Mj/h
Front right:	6Mj/h
Rear left:	6Mj/h
Rear right:	10Mj/h
Total rating:	39Mj/hr over 5 burners

\* Due to continual product development the information provided is not final and may be subject to change.